

DESIGN CRITERIA
IBC 2015
NEC 2014

DESIGN LOADS:

1. Roof loads total 40 PSF
Top chord live load = 20 PSF
Top chord dead load = 10 PSF
Bottom chord dead load = 10 PSF
2. Floor loads total PSF
Live load = 40 PSF
Dead load = 50 PSF (4" Thick Concrete Slab)
3. Wind load & Seismic load = Designed per Category 'D' of the IBC 2015

DATE: 14 Oct 2019
REVISED: 13 May 2020

APPROVED BY: HOME OWNER:
DRAWN BY: TJ
CHECKED BY: PR

SITE WORK

1. A soil bearing capacity of 1500 PSF is assumed.
2. Backfill shall be clean and installed in lifts with each lift being compacted to remove voids.
3. Finish grade to be a minimum of 12" below top of foundation.

- KEYED NOTES**
- ① 4" CONCRETE SLAB WITH 6" X 6" #10/10 WELDED WIRE FABRIC OVER COMPACTED FILL - SLOPED TO FLOOR DRAINS IN RESTROOMS & GALLEY
 - ② #4 REINFORCING RODS 48" X 48" BENT INTO PORCH SLAB @ 24" O.C. TYPICAL AT OVER DIG
 - ③ 4" THICK PAVER COURT YARD ABOVE
 - ④ 2-#4 ROUND REINFORCING RODS 24" X 24" @ 12" O.C. PROPERLY LAPPED & TIED (TYPICAL AT ALL INTERSECTING CORNERS)
 - ⑤ GRATE DRAIN STORM WATER COLLECTION- DIS CHARGE TO DAY LIGHT

ALL CONCRETE TO BE STAINED & DYED VERIFY WITH VENDER

Trades & Contractors

Electrical Contractor- Provide manufacture spec's on smoke detectors, C/O detectors, Panel box- service entry type size manufacture.

Plumbing Contractor- Provide manufacture spec's on water heater and expansion tank to be used, and purposed fixtures i.e. shower valve, vanity and sink valves, Frost proof exterior hose bibs.

Mechanical Contractor- Provide heat gain/loss calc, model and spec's of purposed hvac equip, any flue or vent requires for models. Fireplace sections and venting requirements. All ducts, air handlers filter boxes & building cavities used as ducts shall be sealed.

Contractors to provide Manufactures spec's to the Building Department for approval prior to beginning work.

NFRC labels MUST be in place on ALL windows and doors for inspection.

Fastener Schedule

Sill plate to foundation - 1/2" diameter 12" long min 8" embedded anchor bolts 36" oc

Joist to sill plate - (2) #18c toe nailed each side of joist into plate

Rim joist to sill plate - (2) #4 6" oc toe nailed

Subfloor ply wood to joist - Glued and nailed 6d panel edge 4" oc - field 8" oc

Wall to joist - (2) #16c through bottom plate & ply wood into each joist at braced wall panels - 16d nail to each joist

7/16" wall sheathing - 8d common nails @ 6" oc panel edge & 12" oc field

Sheathing to cover rim joist - Postpaid 15 gauge 2" wide crown 4" oc TAB

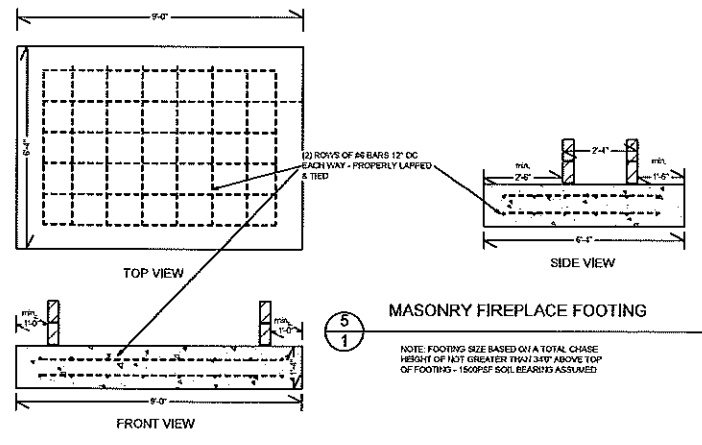
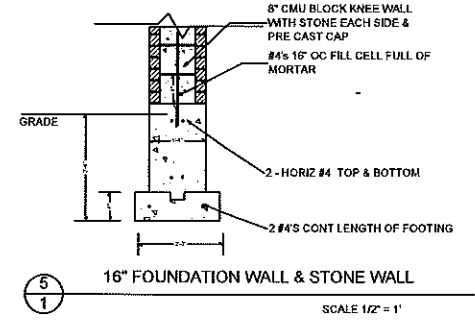
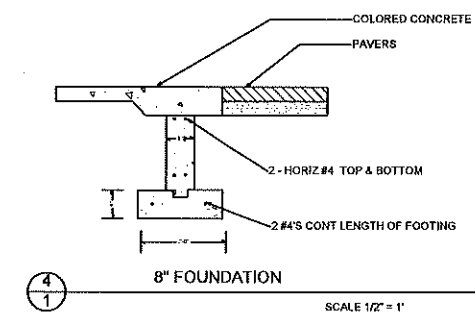
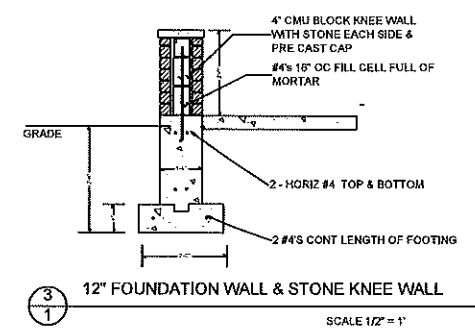
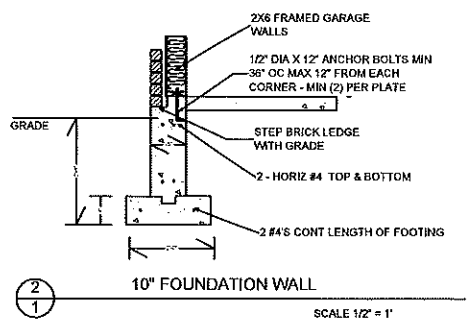
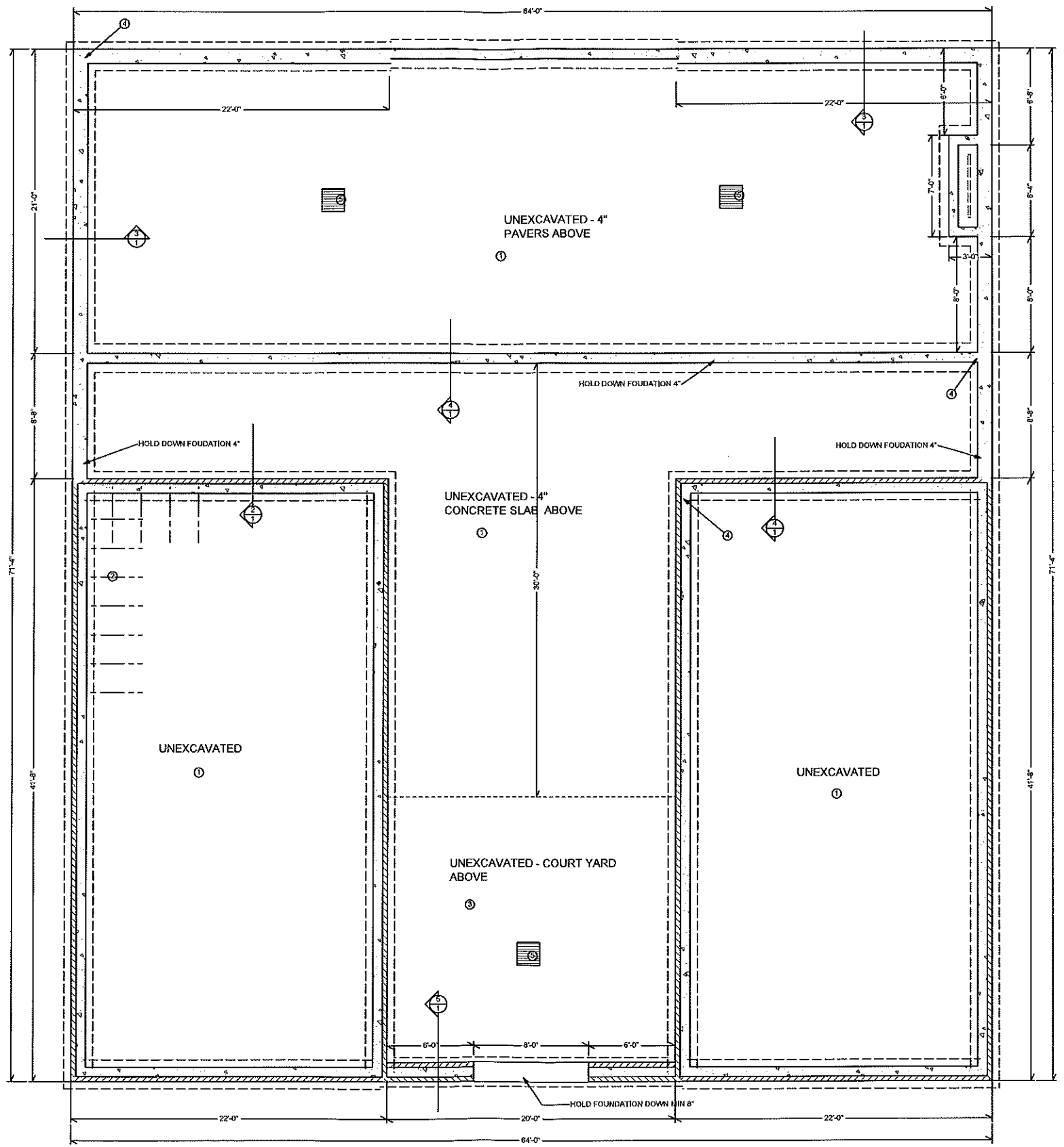
Trusses to top plate - (2) 16c toe nailed one side & (1) 16c toe nailed opposite side - Use Simpson H-1 to rafter (S) 6d to plate (4) 6d

Roof sheathing to truss - Postpaid - 15ga 2" wide crown 4" oc panel edge - 8" field

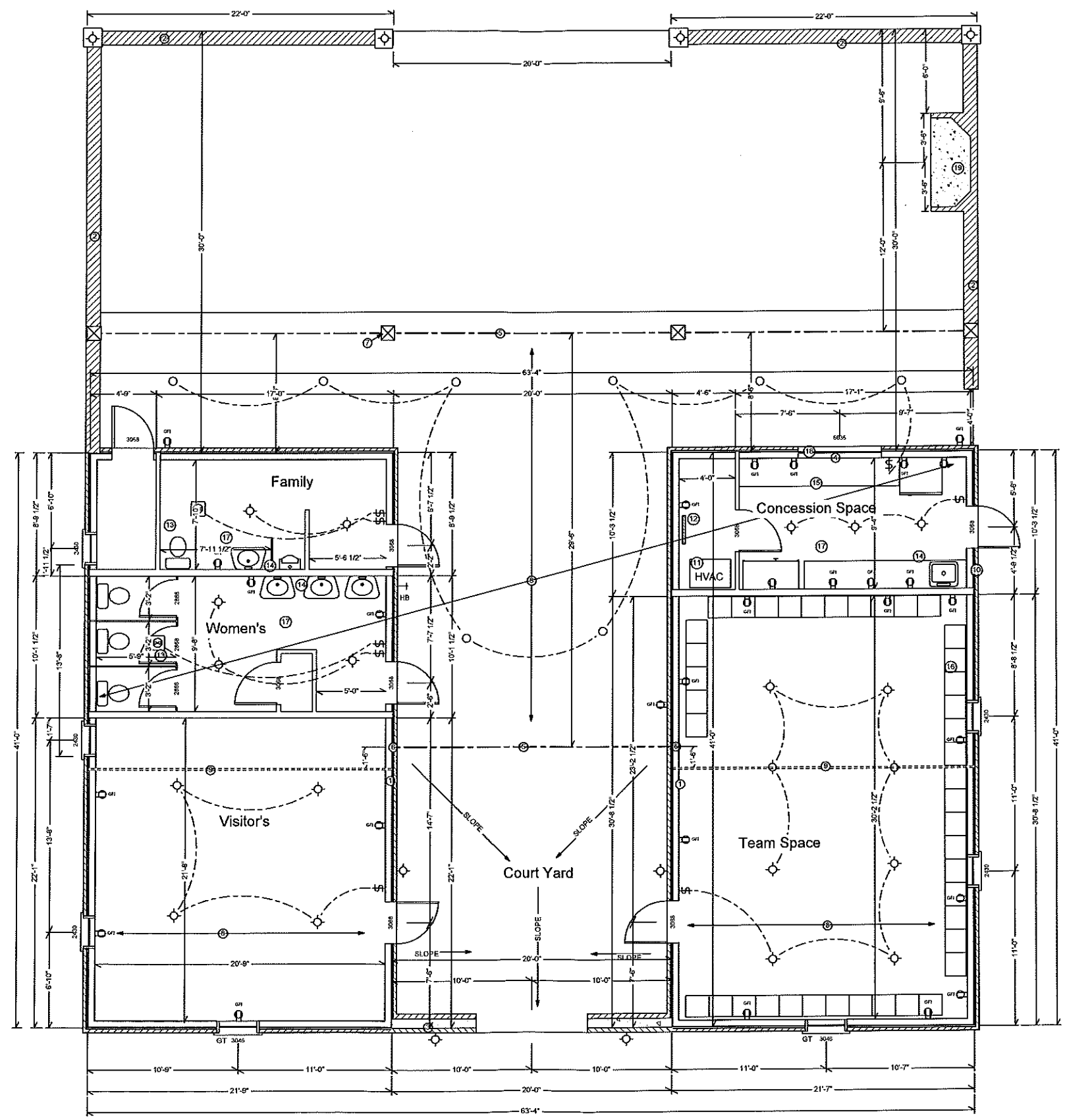
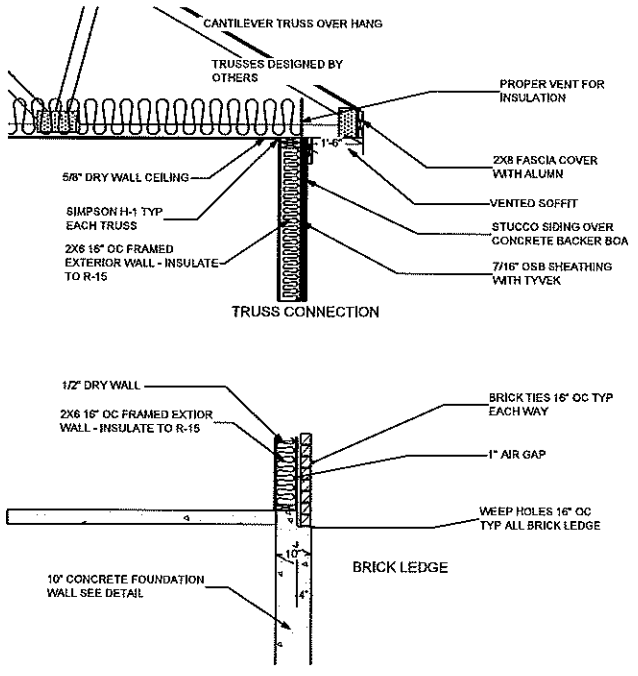
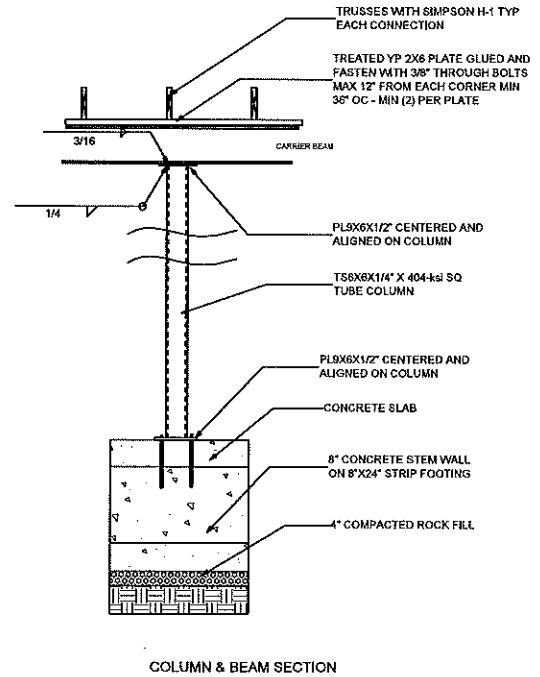
This document is intended for use by LT Design LLC customers. The use by any other party without the written permission of LT Design LLC is prohibited.
Copyright © LT Design LLC 2020
Distribution of reproduction prohibited.

**Villa Duchesne Oak Hill
Field Hockey Pavilion**
801 South Speeds Road
Saint Louis, MO 63131

PAGE
1



DO NOT SCALE DRAWINGS VERIFY ALL DIMENSIONS



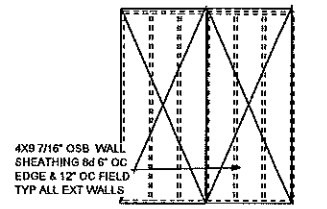
- KEYED NOTES**
- 2X6 16" OC FRAMED WALLS WITH TREATED BOTTOM PLATE - USE 7/16" SHEATHING
 - STONE KNEE WALL WITH PRE CAST CAP
 - STONE WALL WITH STONE CAP
 - (2) 2x10 SYP #1 HEADER w/ (2) 2x6 SPF JACK STUD U.N.C.
 - W10X22 STEEL BEAM W/ SHOP COAT OF PAINT
 - MIN (4) 2X6'S UNDER EACH END OF BEAM TYP
 - TS6X8X14" X 404-ksi SQ TUBE COLUMN WITH 9X6X 1/2" TOP PLATE & 9X6X1/2" BOTTOM PLATE
 - TRUSSES 24" OC DBO
 - GIRDER TRUSS D.B.O.
 - TRUSS DESIGN & LAY OUT BY VENDER
 - NO FREEZE HOSE BIBB
 - HVAC EQUIPMENT - DESIGN BUILD CONTRACTOR TO SUPPLY CALCULATIONS & MODEL INFORMATION
 - MIN 200 AMP ELECTRIC SERVICE - DESIGN BUILD CONTRACTOR TO SUPPLY CALCULATIONS & FIXTURE MODEL INFORMATION
 - MIN 50 CFM BATH FAN- VENTED AT ROOF
 - TANKLESS WATER HEATERS AT POINT OF USE
 - CABINET & TOPS LAYOUT BY VENDER
 - CUBBIES- LOCKERS BY OTHERS
 - FLOOR DRAIN
 - ROLL UP SERVICE-WINDOW / COUNTER DOOR BY Wheatbelt, Inc. 1-800-264-5171
 - MASONRY FIREPLACE - VENDER TO SUPPLY CONTRACTOR WITH SPECS AND DETAILS
 - PLUMBING CONTRACTOR TO PROVIDE UNDER GROUND WATER SHUT OFF & WINTERIZE VALVES
 - ANDERSEN 400 SERIES WINDOWS— OBUURED GLASS TYPICAL

DATE:	14 Oct 2019
REVISED:	13 May 2020
APPROVED BY:	HOME OWNER
DRAWN BY:	TJ
CHECKED BY:	PR

**Villa Duchesne Oak Hill
Field Hockey Pavilion**
801 South Speede Road
Saint Louis, MO 63131

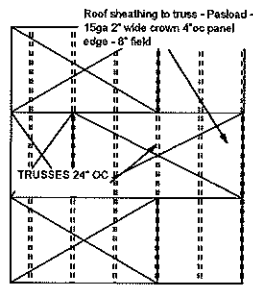
DO NOT SCALE DRAWINGS VERIFY ALL DIMENSIONS

DATE:	14 Oct 2019
REVISED:	13 May 2020
APPROVED BY:	HOME OWNER:
DRAWN BY:	TJ
CHECKED BY:	PR



WALL SHEATHING NAILING CS-WSP

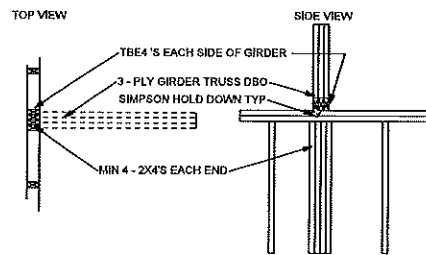
3/3



ROOF SHEATHING NAILING

SCALE 1/4" = 1'

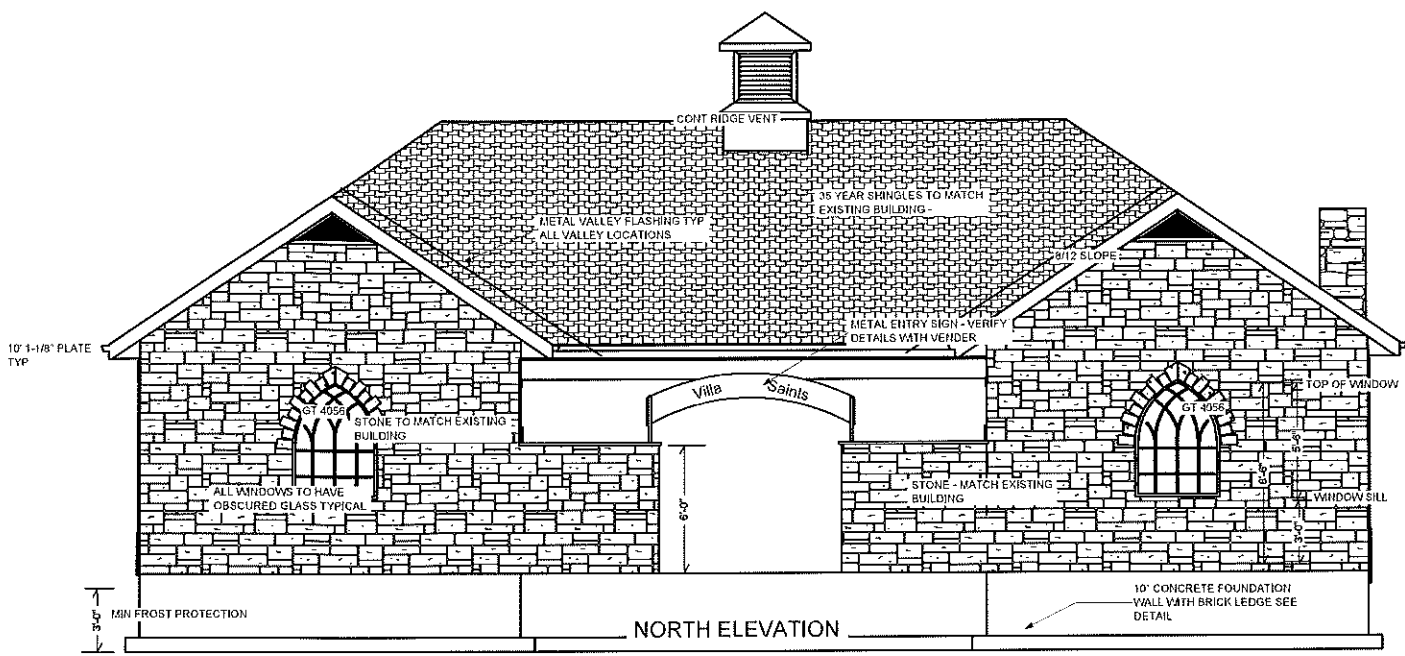
4/3



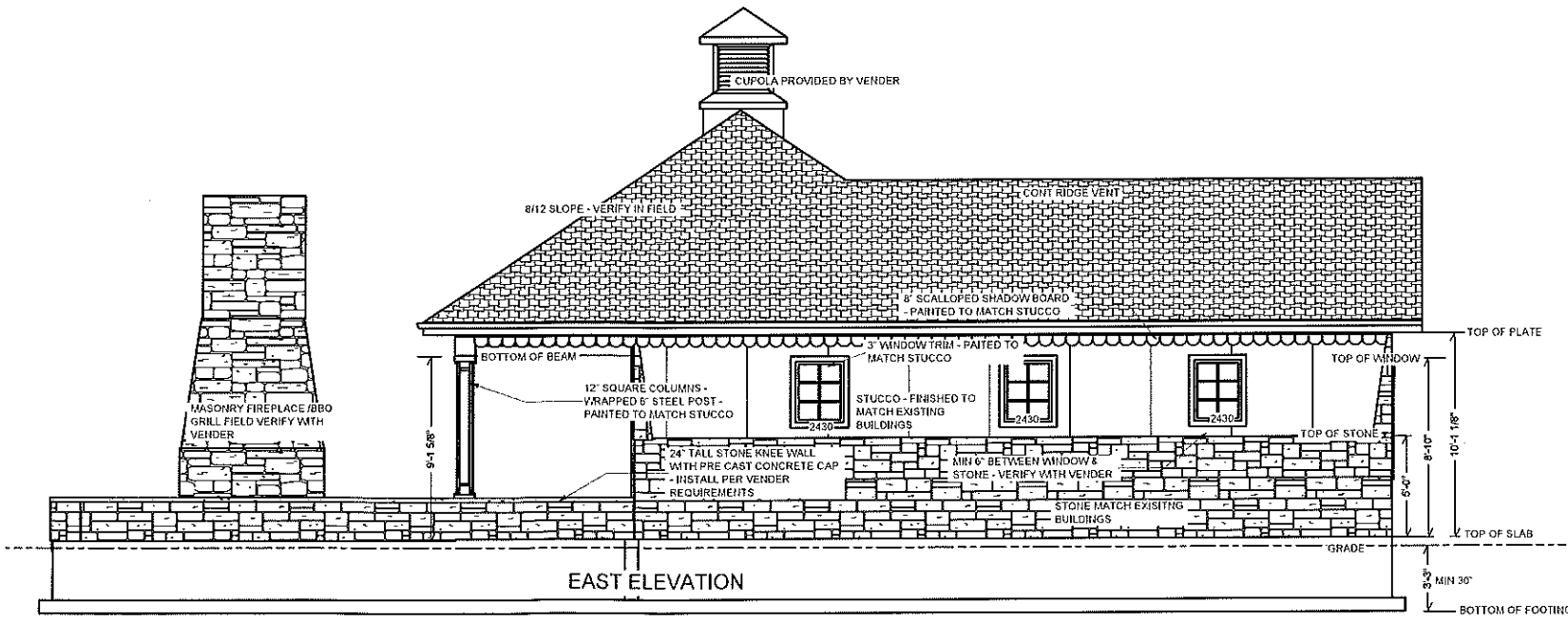
GIRDER TRUSS DETAIL

SCALE 1/2" = 1'

8/2



NORTH ELEVATION



EAST ELEVATION

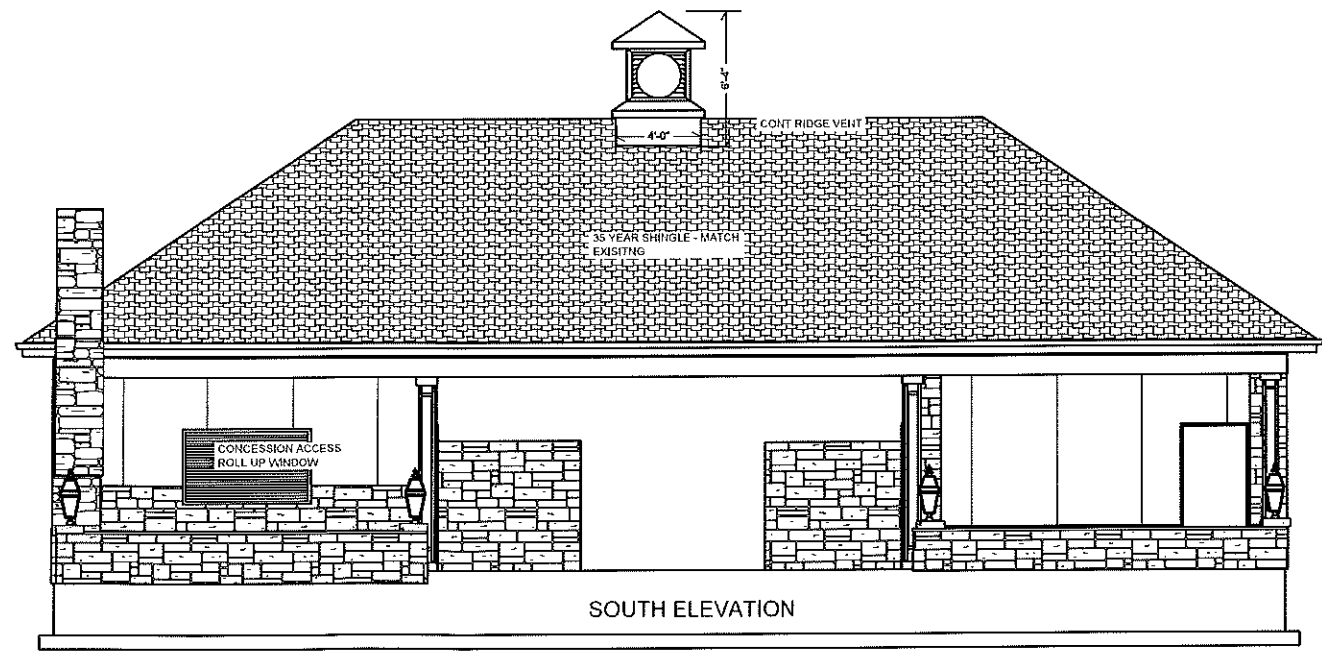
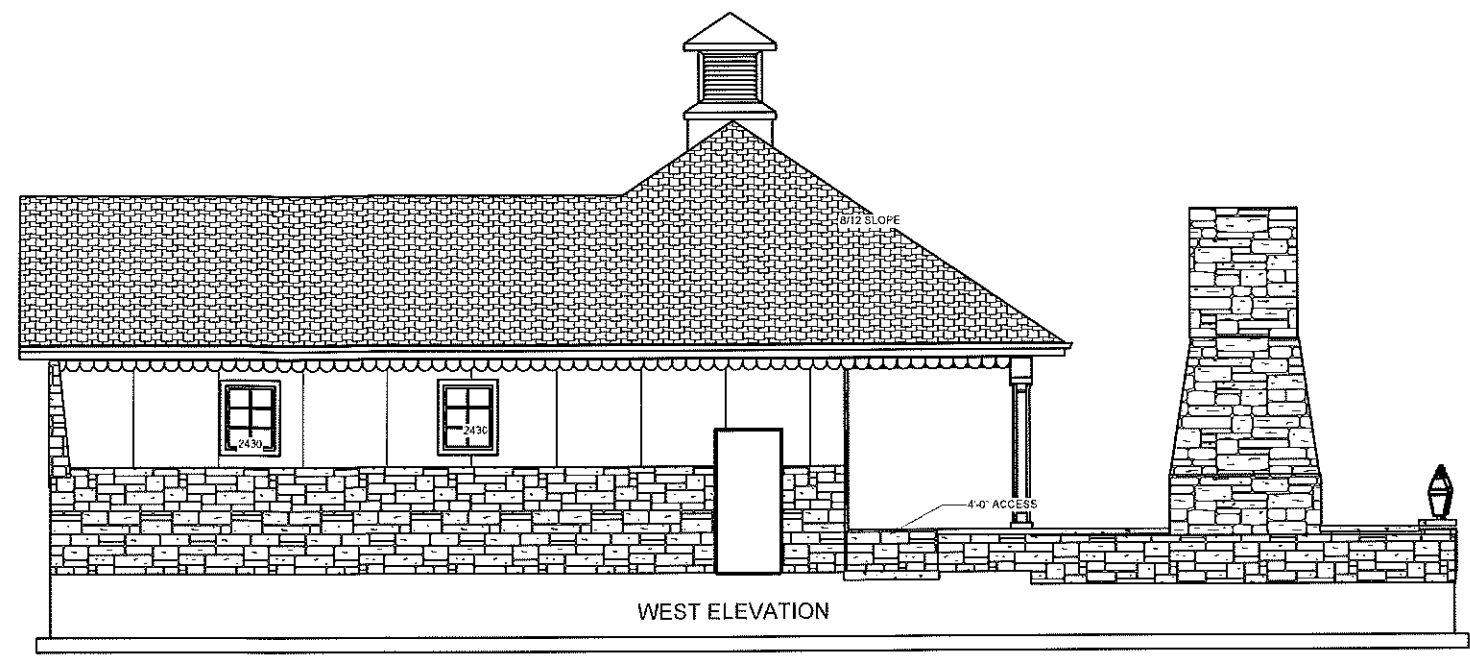
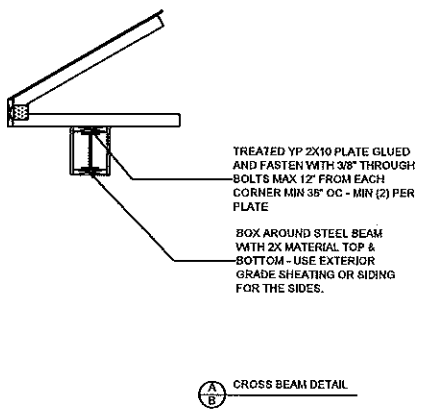
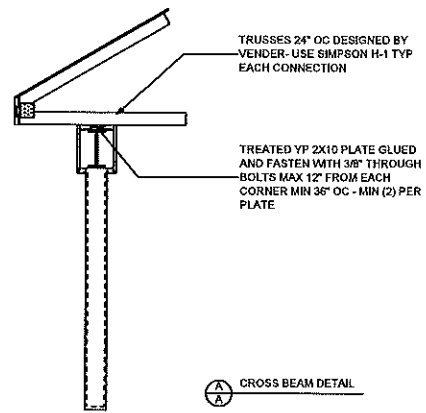
These documents are prepared by L.T. Design, LLC and are the property of L.T. Design, LLC. No part of these documents may be reproduced without the written permission of L.T. Design, LLC. Copyright © L.T. Design, LLC 2020. Duplication or reproduction prohibited.

Villa Duchesne Oak Hill
Field Hockey Pavilion
801 South Speeds Road
Saint Louis, MO 63131

DATE: 14 Oct 2019
 REVISED: 13 May 2020

APPROVED BY: _____
 HOME OWNER: _____

DRAWN BY: TJ
 CHECKED BY: FR



These documents are the property of L'Ortega LLC. Their use by any other party without all facilities. Copyrighted © L'Ortega LLC 2020. Duplication, reproduction prohibited.

Villa Duchesne Oak Hill
Field Hockey Pavilion
 801 South Speede Road
 Saint Louis, MO 63131

DO NOT SCALE DRAWINGS VERIFY ALL DIMENSIONS

